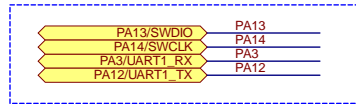
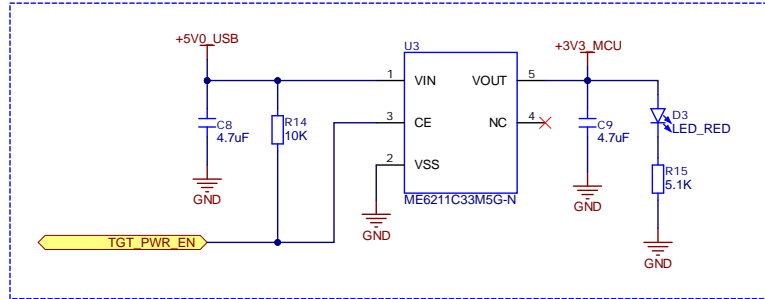


Project Title	FTHR-G0001		
Sheet Title	MM32LINK-OB V1.0		
Size	A3	Rev	A
Sheet	1 / 2	Drawn	Li Hongpeng
Date	2023-05-18	Checked	Lu Weiwei
		Approved	Chen Do

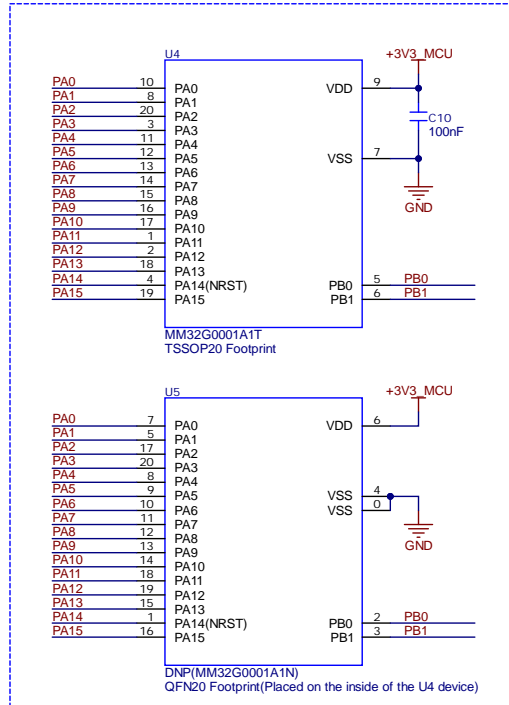


Target Power



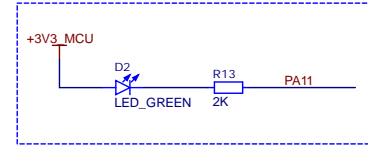
To MM32LINK-OB

Target MCU

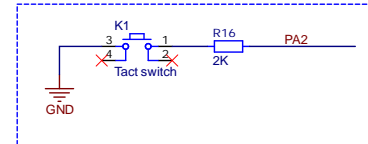


DNP : DO NOT POPULATE

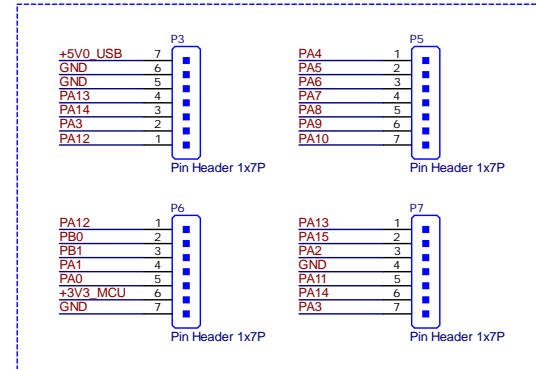
User LED



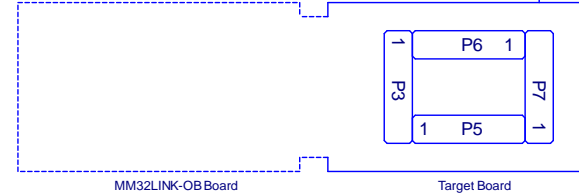
User KEY



IO Expansion



Top View



Project Title	FTHR-G0001		
Sheet Title	Target Board		
Size	A3	Rev	A
Sheet	2	2	Drawn Lu Hongpeng
Date	2023-05-18	Checked	Lu Weiwei
		Approved	Chen Do

